

Technical Datasheet

KNX Electromotor Valve Drive

Art.no.: 57001



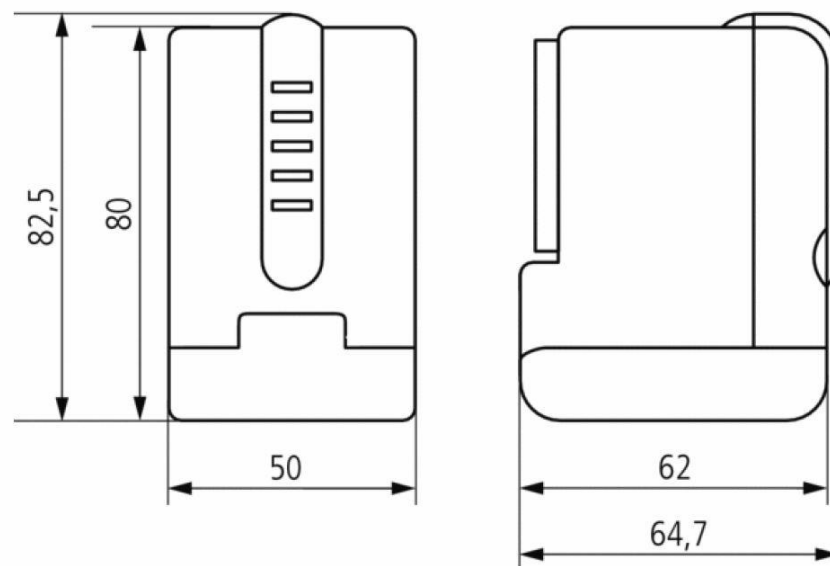
KNX Electromotor Valve Drive

- Motorised actuator for heater and cooling valves
- Display of valve stroke (red LED bar)
- Automatic valve stroke recognition
- Two binary inputs for window contacts ect.
- Integrated BCU
- Automatic valve purge
- 3 adapters included (VA10, VA78, VA80)

Accessories for KNX Electromotor Valve Drive

- 57301 Adapter Valve Drive, VA80
- 57302 Adapter Valve Drive, VA78
- 57303 Adapter Valve Drive, VA55H
- 57304 Adapter Valve Drive, VA02
- 57305 Adapter Valve Drive, VA50
- 57306 Adapter Valve Drive, VA10

Dimensions



Technical data

| | | KNX Electromotor Valve Drive |
|-------------------|---|---------------------------------|
| | | 57001 |
| Power | • Operating voltage, KNX | 21...30 V DC |
| | • Power consumption, KNX | ≤10mA |
| Actuator | • Maximum valve stroke | 7,5mm |
| | • Controlling torque | 120 N |
| | • Runtime | <20 s/mm |
| | • Installation type | Locks on valve adapter |
| | • Behavior in case of control signature failure | Moves to optional position |
| Inputs | • Binary input | 2 |
| Connections | • Connection | 6-pole (1m cable) |
| | • Wiring | 0.5-2.5 mm ² |
| Housing | • IP21 | |
| Temperature range | • Ambient temperature | +0 °C ... +50 °C |
| | • Stock temperature | -20 °C ... +60 °C |
| | • Medium temperature | ≤100 °C |
| Design | • Dimensions (H x W x D) | 50 x 82 x 65 mm |
| Approvals | according to EN 60730-2-14 | |



Producer:

function Technology AS
Kanalveien 117b | N-5068 Bergen | Norway

www.function-technology.com

Distributor: